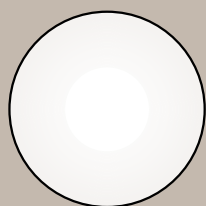




## EXPO Adjust



DESIGN: Jakub Zarzyński / MANUFACTURED IN: Poland

Expo Adjust is a modern projector that uses an efficient and energy-saving COB LED light source. It will prove perfect in restaurants, hotels, shop spaces as well as in art galleries and museums. Selected versions feature an innovative function of manual adjustment of the illumination angle, similar in operation to the "zoom" function of a photographic lens.





## — Design

I have designed Expo Adjust with modern commercial interiors in mind, where it is important to emphasise the characteristics of equipment and displays, and create spatial atmosphere through light.

I wanted a subtly expressive structure and a compact form that would accommodate technological features ensuring great lighting possibilities. I thought it could resemble stage lighting a bit. Thanks to the cooperation with engineers from Lena Lighting, it was possible to achieve small size, in relation to significant lighting possibilities, and at the same time ensure high energy efficiency.

However, I wanted the luminaire, in addition to its very good parameters and small dimensions, to be a complementary item for representative and boldly designed architectural interiors – hence the masking net finishing of the smooth luminaire body, resembling net solutions popular in fancy loft-design arrangements.

A handwritten signature in black ink, which appears to read 'Jakub Zarzyński'.

Jakub Zarzyński / Designer

vo

lu

es

01 / 04 — **Passion and professionalism**

Our company was born out of fascination with light. For 33 years of running our business, we have gained knowledge and competences, thanks to which we can design and manufacture even the most complex lighting systems.

02 / 04 — **Inspiration and design**

We make sure that our products are distinguished not only by the best parameters, but also by unique design. We believe that the space that surrounds us has a real impact on our well-being. We create our products having the above in mind.

03 / 04 — **Innovation and development**

We offer technologically advanced solutions. We constantly invest in the development of our research centre and state-of-the-art production lines. We develop dynamically with the advancement of technology.

04 / 04 — **Sustainable development**

We have placed environmental management at the heart of our business, implementing a system that minimises any negative impact on the natural environment. We are ISO 14001 certified.



# EXPO Adjust

General applications



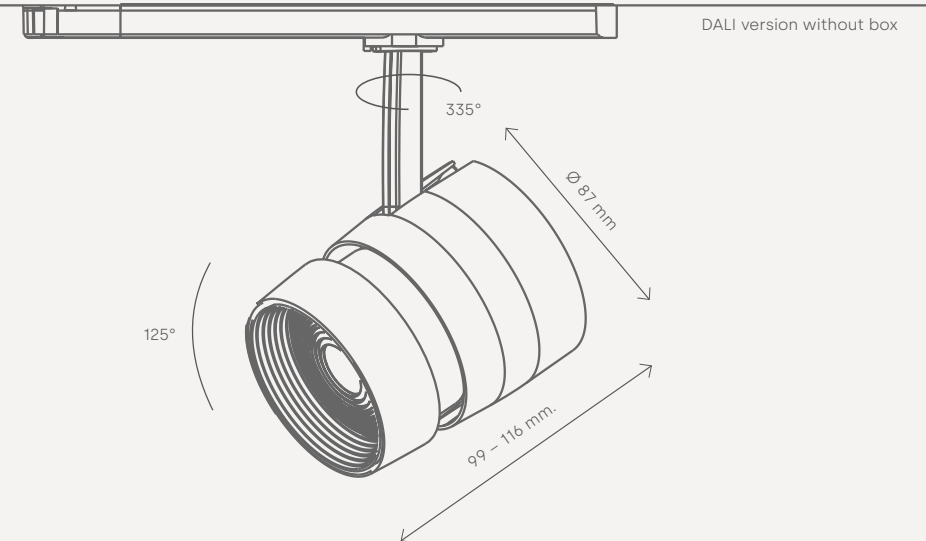


### Minimalist sizes and remarkable parameters

Expo Adjust is an energy-saving technology and high luminous efficiency enclosed in a small body of a minimalist design. Small-sized projectors can be mounted not only on busbars, but also surface-mounted or flush-mounted, allowing to highlight any spots of the space. This makes it extremely easy to illuminate the display. Expo Adjust luminaires are increasingly becoming part of restaurant, hotel and museum equipment around the world. Their high energy efficiency translates into a significant reduction of CO<sub>2</sub> emissions into the atmosphere – this is the first step to introduce changes in your everyday life and follow the eco lifestyle path.

- Design developed by our own R&D department.
- Polish production and branded components.
- Standard body colour: white or black (other colours available on request).
- Body material: aluminium, ABS box (except DALI)
- Luminous efficacy of up to 138 lm/W.
- Power range from 19 to 37 W.
- The maximum luminous flux is 3450 lm.
- Fixed focal length or luminous flux distribution adjustment (22°–55°).
- Colour temperature: 3000 K, 4000 K.
- Installation: busbar-mounted, surface-mounted, flush-mounted.
- Colour rendering index (Ra) >90. Available DALI options.

EXPO Adjust







EXPO Adjust



# Expo Adjust Shop

Display of goods





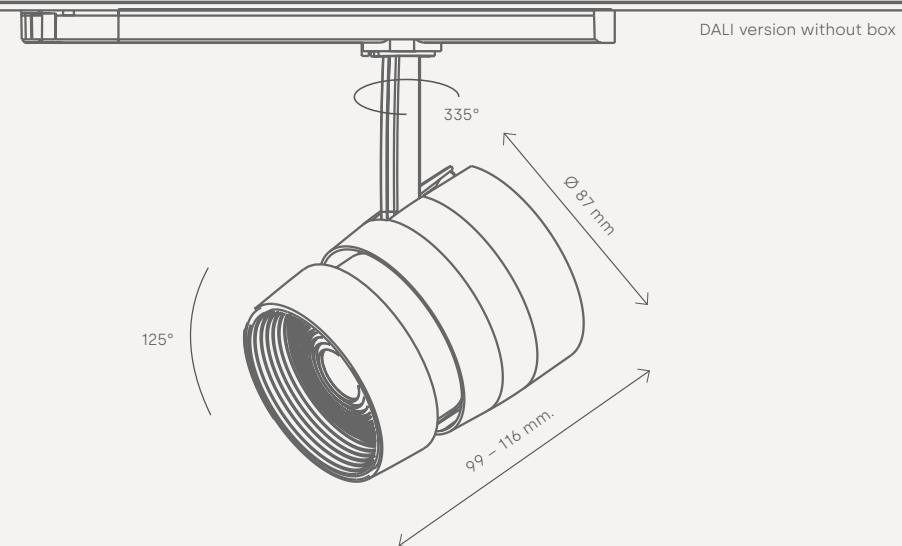


### Projector for displaying goods

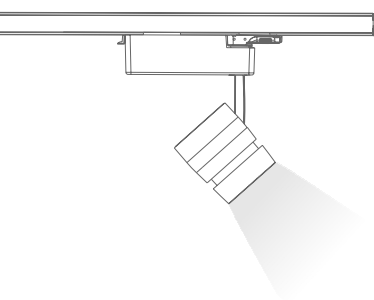
Expo Adjust Shop models are dedicated to commercial facilities. Individual versions have been designed with different product categories in mind. Breadstuff, cold cuts, jewellery and a variety of other products – now you can choose the light that will emphasise their quality, freshness and delectability. Expo Adjust Shop products provide excellent colour rendering at  $Ra > 90$ . Thanks to this, the exhibition will be illuminated in a way allowing it to realistically reflect its natural shapes, structure and colours.

- Design developed by our own R&D department.
- Polish production and branded components.
- Body colour: white, black
- Body material: aluminium, ABS box
- Luminous efficacy of up to 153 lm/W.
- Power range from 19 to 35 W.
- The maximum luminous flux is 3200 lm.
- Colour temperature: 3000 K, 4000 K.
- Versions for displaying, e.g. jewellery, breadstuff, meat and cold cuts.
- Versions with luminous flux distribution adjustment ( $22^{\circ}$ - $55^{\circ}$ ) available.
- Installation: busbar-mounted, surface-mounted, flush-mounted.
- Colour rendering index (Ra)  $> 90$ .

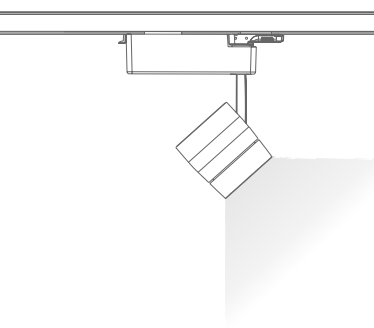
Expo Adjust Shop



Easy adjustment of the light focus thanks to the zoom function.



Narrow light distribution



Wide light distribution

Expo Adjust is offered with a system of branded busbars on which projectors are mounted, which increases the scope of arrangement options and makes it easier to adjust (move or rotate) the lighting after installation. The ZOOM version with adjustable illumination angle in the range of 22–55° additionally increases the adaptability of the product, which is a very convenient function in the event of a change of decor or the need to illuminate a new exhibition.





## It really matters

We make our products according to the highest environmental standards.



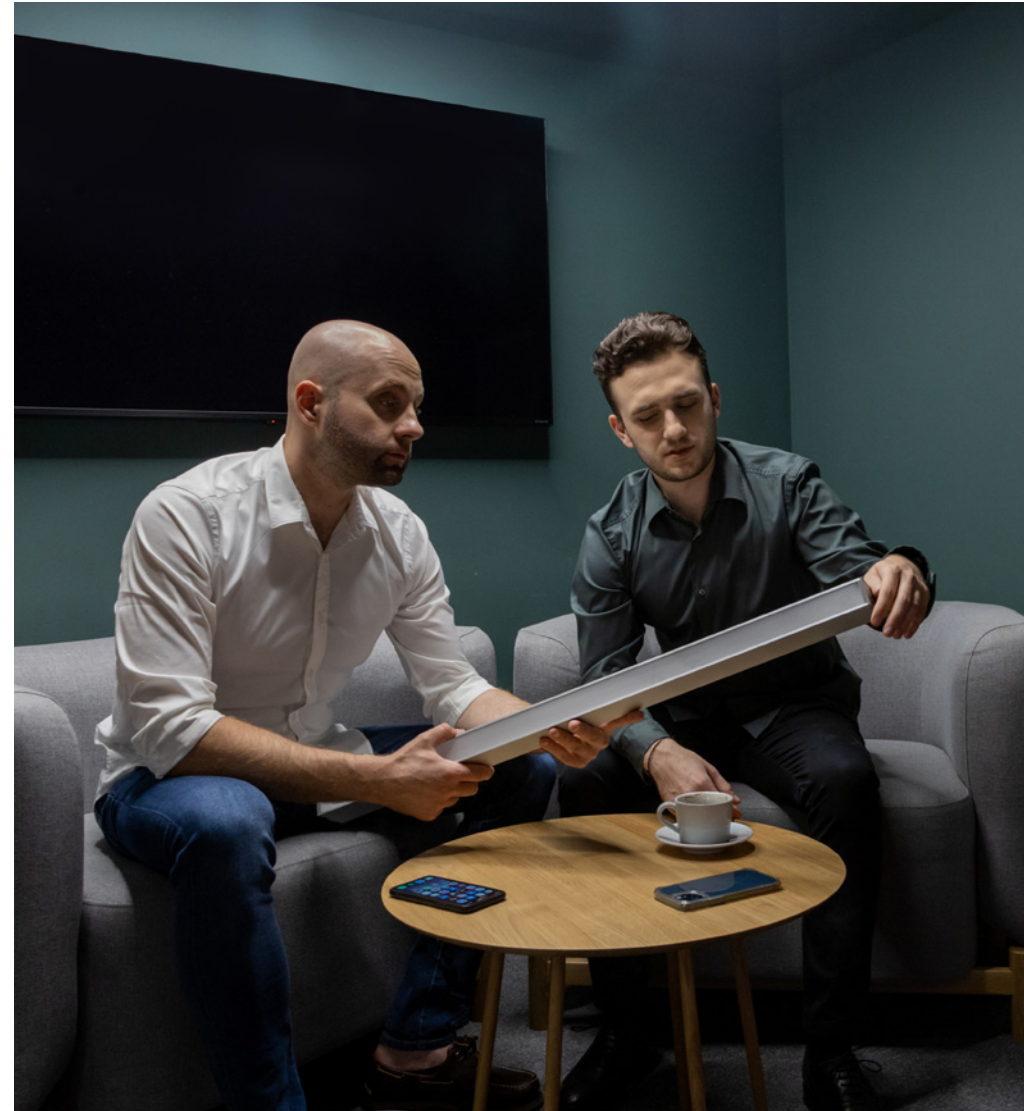
Being aware of the importance of environmental protection behaviours and future generations inspires us to put maximum effort into offering the highest quality, energy-efficient products; and to make sure that the entire process and technology of their production do not have a negative impact on the ecosystem.

Our efforts and their effectiveness have been confirmed by the ISO 14001 certificate. This means that Lena Lighting has successfully implemented an environmental management system. The overall goal of this system is to create conditions for the functioning of the enterprise in order to minimise the negative impact on the natural environment. We have already succeeded – we are going to continue our journey and invest in technology and knowledge aimed at care for the natural environment.



Since 1989

We create  
**the light**  
**together**





 **LENA**  
LIGHTING

   lenalighting

Lena Lighting S.A.  
ul. Kórnicka 52, 63-000 Środa Wielkopolska  
tel. +48 (61) 28 60 300, e-mail: office@lenalighting.pl

**[www.lenalighting.com](http://www.lenalighting.com)**